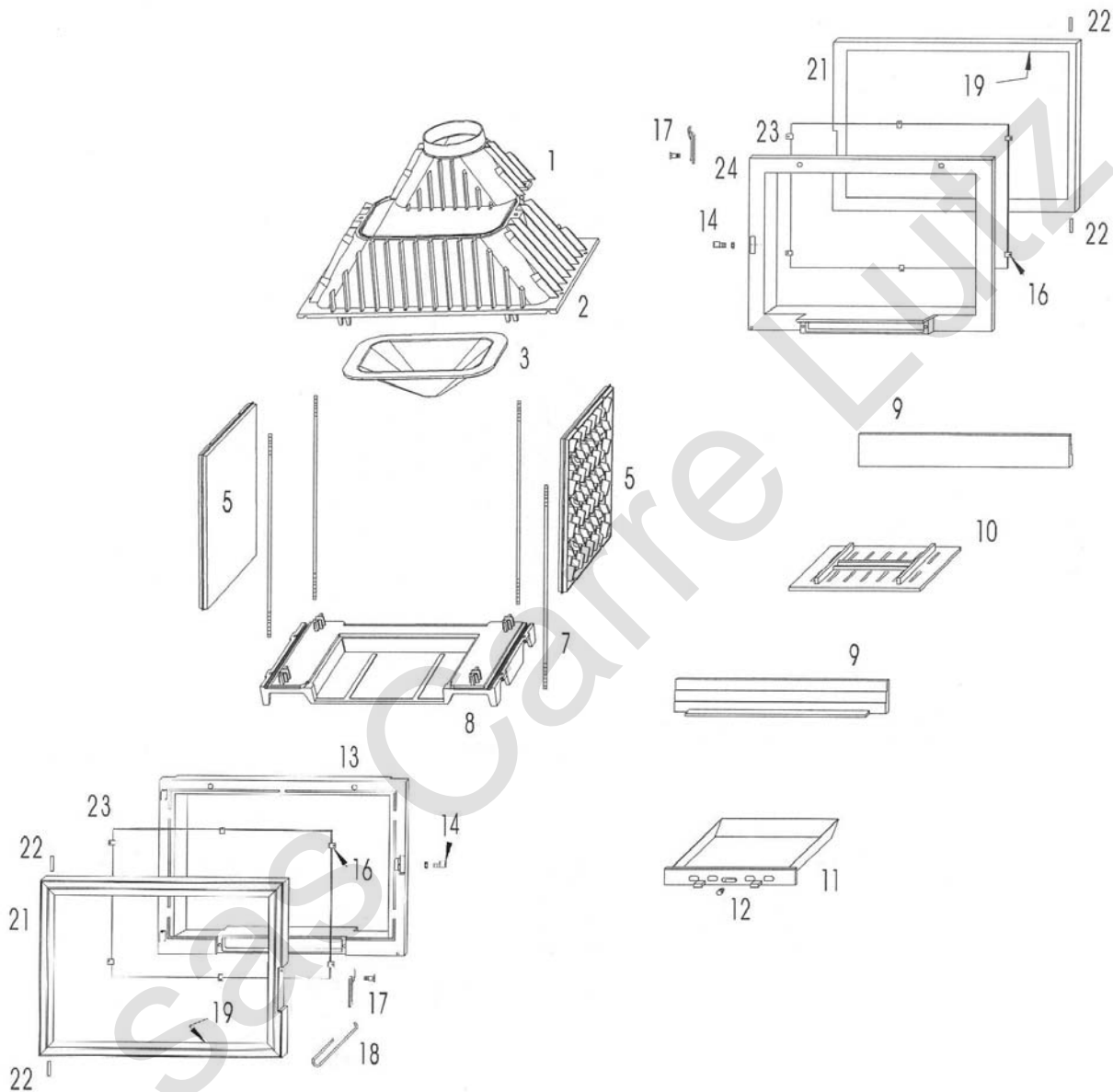




deville

FOYER BOIS
 FOYER DOUBLE FACE - PORTE GRISE
 C07907.PT09



| REP. | DESIGNATION | REF. PIECE | 1ère URG. |
|------|----------------------|------------|-----------|
| 1 | Buse | D0024764 | |
| 2 | Avaloir | D0024765 | |
| 3 | Défecteur | D0024766 | X |
| 5 | Côté réversible (2) | D0024767 | |
| 7 | Tirant - 8 x 560 (4) | D0024799 | |
| 8 | Socle | D0024768 | |
| 9 | Pare bûches (2) | D0024754 | X |
| 10 | Grille foyère | D0024755 | |
| 11 | Ens. cendrier | D0024759 | |
| 12 | Bouton en bakélite | D0023865 | |

| REP. | DESIGNATION | REF. PIECE | 1ère URG. |
|------|-----------------------------------|------------|-----------|
| 13 | Façade | D0024757 | |
| 14 | Excentrique réglage fermeture (2) | D0024622 | |
| 16 | Attache de vitre (12) | D0023874 | |
| 17 | Ens. loquet de fermeture (2) | D0024762 | |
| 18 | Crochet d'ouverture de porte | D0024633 | |
| 19 | Joint de porte - Ø8 (4,8 m) | D0024629 | X |
| 21 | Porte (2) | D0024761 | |
| 22 | Goupille cannelée - 6-50 (4) | D0024760 | |
| 23 | Vitre (701 x 463 x 4) (2) | D0024763 | X |
| 24 | Façade double face | D0024769 | |